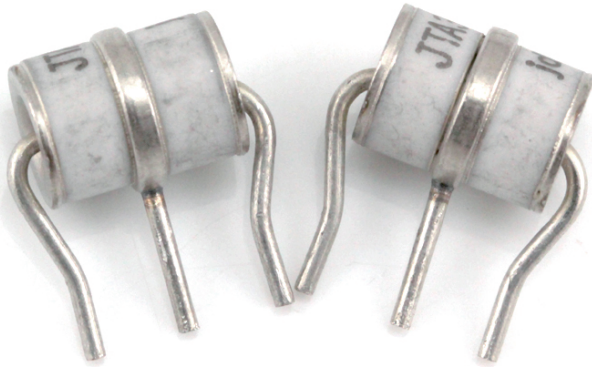


为 您 的 产 品 保 驾 护 航

PRODUCT DATASHEET

Gas Discharge Tubes

JTA37H



Description

GDT introduction: Gas discharge tubes (GDT) use noble gasses enclosed in ceramic tubes to provide an alternate circuit path for voltage spikes. The ceramic envelope and with nickel connectors allow for high loads and Ruilon offers products that function at 20KA, 40KA, 50KA, 60KA, 100KA & 150KA. The breakdown voltages of the devices have a wide range (up to 20% tolerance). Major applications are high frequency telecommunication lines, stations, security systems, HID and high quality Surge Protection Devices (SPD).

Features

- RoHS & HF compliant
- Size: 11.5mm*7.5mm
- DC Spark-over voltage: 75~800V
- Stable breakdown voltage.
- High insulation resistance.
- High holdover voltage.
- Large absorbing transient current capability.
- Low Capacitance
- Micro-Gap Design

Product Identification

JT A 3 7 -075 H

H = Surge Rating

Blank=0.5kA, B=2kA, D=3kA,
G=5kA, H=10kA, K=20kA,
M=40kA, P=60kA

075 = DC Spark-over Voltage 75V

7 = 7mm Diameter

3 = 3 Electrode Device

A = Lead Configuration

A=Axial Leads
N=No Leads
S=Surface Mount
T=T-shaped Leads

JT = JDT Gas Discharge Tube

Applications

- Cable Modem
- xDSL
- Set-Top Box
- Satellite and CATV equipment
- Power supplier
- Consumer electronics
- General telecom equipment

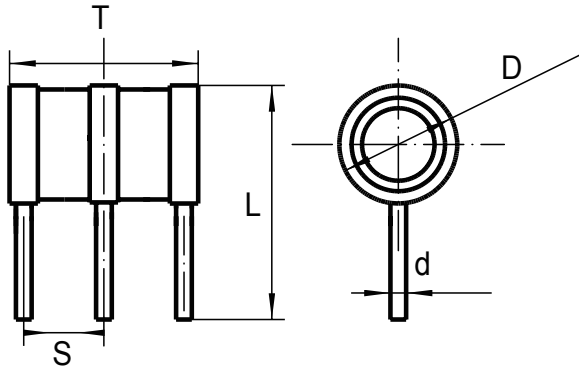
Performance Specification

Part Number	DC Spark-over Voltage	Maximum Impulse Breakdown Voltage		Max. Impulse Discharge Current (8/20 μ s)	Impulse Life (10/1000 μ s)	Normal Alternating Discharge Current	DC Holdover Voltage	Minimum Insulation Resistance	Maximum Capacitance (1MHz)
	100V/S	100V/ μ S	1KV/ μ S	10 times	100 A	50Hz 1Sec	<150ms		
L Series	(V)	(V)	(V)	(KA)	Times	(A)	(V)	(G Ω)	(pF)
JTA37-075H	75 \pm 20%	600	700	10	300	10	52	1	2
JTA37-090H	90 \pm 20%	600	700	10	300	10	52	1	2
JTA37-150H	150 \pm 20%	500	700	10	300	10	135	1	2
JTA37-200H	200 \pm 20%	500	700	10	300	10	135	1	2
JTA37-230H	230 \pm 20%	600	700	10	300	10	150	1	2
JTA37-250H	250 \pm 20%	600	700	10	300	10	150	1	2
JTA37-350H	350 \pm 20%	700	800	10	300	10	150	1	2
JTA37-400H	400 \pm 20%	800	900	10	300	10	150	1	2
JTA37-470H	470 \pm 20%	900	1000	10	300	10	150	1	2
JTA37-600H	600 \pm 20%	1000	1100	10	300	10	150	1	2

DC Spark-over Voltage	DC Measuring Voltage
75-90V	50V
150-400V	100V
420-600V	250V

Dimension

"L" (Axial lead type)



Unit:mm

Item	Dimensions	
	Spec.	Tolerance
D	7.5	±0.2
T	11.5	±0.2
L	15	±1
S	4.4	±0.2
d	1.0	±0.05

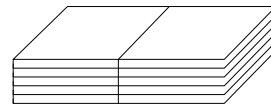
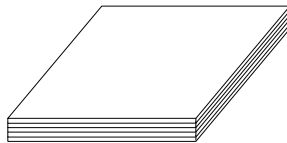
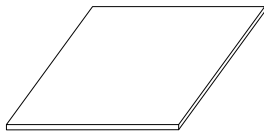
Packaging Bulk

Unit:mm

Plastic Tray
(200x210x10mm)

Inner Box
(210x225x60mm)

Outside Box
(450x245x345mm)



100 PCS/ Plastic Tray

500 PCS/ Box

5,000 PCS/ Carton