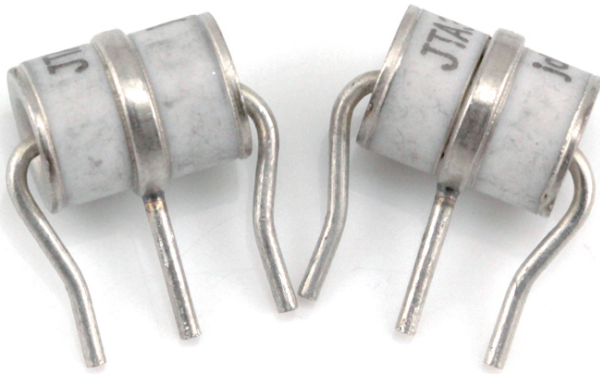


为您的产品保驾护航

PRODUCT DATASHEET

Gas Discharge Tubes

JTA36H/JTN36H



Description

Gas discharge tubes (GDT) use noble gasses enclosed in ceramic tubes to provide an alternate circuit path for voltage spikes. The ceramic envelope and with nickel connectors allow for high loads and Ruilon offers products that function at 20KA, 40KA, 50KA, 60KA, 100KA & 150KA. The breakdown voltages of the devices have a wide range (up to 20% tolerance). Major applications are high frequency telecommunication lines, stations, security systems, HID and high quality Surge Protection Devices (SPD).

Features

- RoHS & HF compliant
- Size: 8.5mm*6.0mm
- DC Spark-over voltage: 75~800V
- Stable breakdown voltage.
- High insulation resistance.
- High holdover voltage.
- Large absorbing transient current capability.
- Low Capacitance
- Micro-Gap Design

Product Identification

JT A 3 6 -070 H

H = Surge Rating
 Blank=0.5kA, B=2kA, D=3kA,
 G=5kA, H=10kA, K=20kA,
 M=40kA, P=60kA

070 = DC Spark-over Voltage 70V

6 = 6mm Diameter

3 = 3 Electrode Device

A = Lead Configuration

A=Axial Leads

N=No Leads

S=Surface Mount

T=T-shaped Leads

JT = JDT Gas Discharge Tube

Applications

- Cable Modem
- xDSL
- Set-Top Box
- Satellite and CATV equipment
- Power supplier
- Consumer electronics
- General telecom equipment

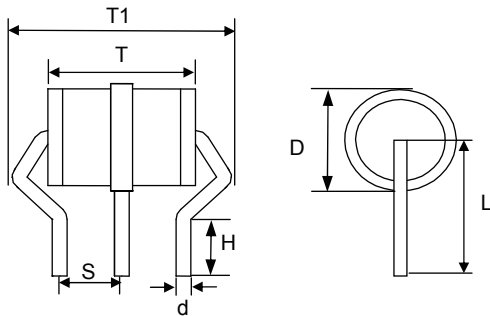
Performance Specification

Part Number		DC Spark-over Voltage	Maximum Impulse Breakdown Voltage		Max. Impulse Discharge Current (8/20 μ s)	Impulse Life (10/1000 μ s)	Normal Alternating Discharge Current		DC Holdover Voltage	Minimum Insulation Resistance	Maximum Capacitance (1MHz)
			100V/ μ S	1KV/ μ S			50Hz 1Sec	Single 9 Cycles			
		(V)	(V)	(V)	10 times	100 A	(A)	(A)	<150ms	(G Ω)	(pF)
JTA36-070H	JTN36-070H	70 \pm 20%	500	600	10	500	10	65	20	1	1.5
JTA36-075H	JTN36-075H	75 \pm 20%	500	600	10	500	10	65	50	1	1.5
JTA36-090H	JTN36-090H	90 \pm 20%	500	600	10	500	10	65	100	1	1.5
JTA36-150H	JTN36-150H	150 \pm 20%	500	700	10	500	10	65	100	1	1.5
JTA36-230H	JTN36-230H	230 \pm 20%	500	700	10	500	10	65	100	1	1.5
JTA36-250H	JTN36-250H	250 \pm 20%	500	700	10	500	10	65	100	1	1.5
JTA36-300H	JTN36-300H	300 \pm 20%	700	900	10	500	10	65	100	1	1.5
JTA36-350H	JTN36-350H	350 \pm 20%	700	900	10	500	10	65	100	1	1.5
JTA36-400H	JTN36-400H	400 \pm 20%	800	1000	10	500	10	65	100	1	1.5
JTA36-470H	JTN36-470H	470 \pm 20%	900	1100	10	500	10	65	250	1	1.5
JTA36-600H	JTN36-600H	600 \pm 20%	1100	1300	10	500	10	65	250	1	1.5
JTA36-800H	JTN36-800H	800 \pm 20%	1300	1500	10	500	10	65	250	1	1.5

DC Spark-over Voltage	DC Measuring Voltage
75-90V	50V
150-400V	100V
420-600V	250V

Dimension
"T" (Axial lead type)

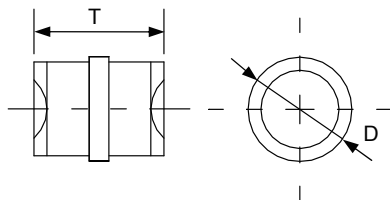
Unit:mm



Item	Dimensions	
	Spec.	Tolerance
D	6.0	+0.2/-0.8
T	8.5	±0.5
T1	11.5	+0.8/-0.5
L	7.5	±0.5
S	3.8	±0.3
d	0.8	±0.05
H	4.5	Min.

"N" (No lead type)

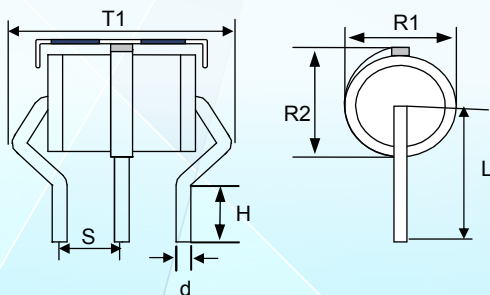
Unit:mm



Item	Dimensions	
	Spec.	Tolerance
D	6.0	+0.2/-0.8
T	8.5	±0.5

"TF" (No lead type)

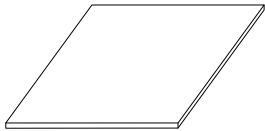
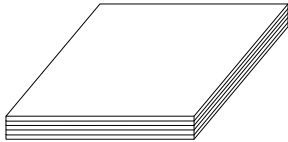
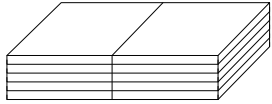
Unit:mm



Item	Dimensions	
	Spec.	Tolerance
R1	6.3	±0.3
R2	7.6	±0.4
T1	11.5	+0.8/-0.5
L	7.5	±0.5
S	3.8	±0.3
d	0.8	±0.05
H	4.5	Min

Packaging Bulk

Unit:mm

<p>Plastic Tray (200x210x10mm)</p>	<p>Inner Box (210x225x60mm)</p>	<p>Outside Box (450x245x345mm)</p>
		
<p>100 PCS/ Plastic Tray</p>	<p>500 PCS/ Box</p>	<p>5,000 PCS/ Carton</p>