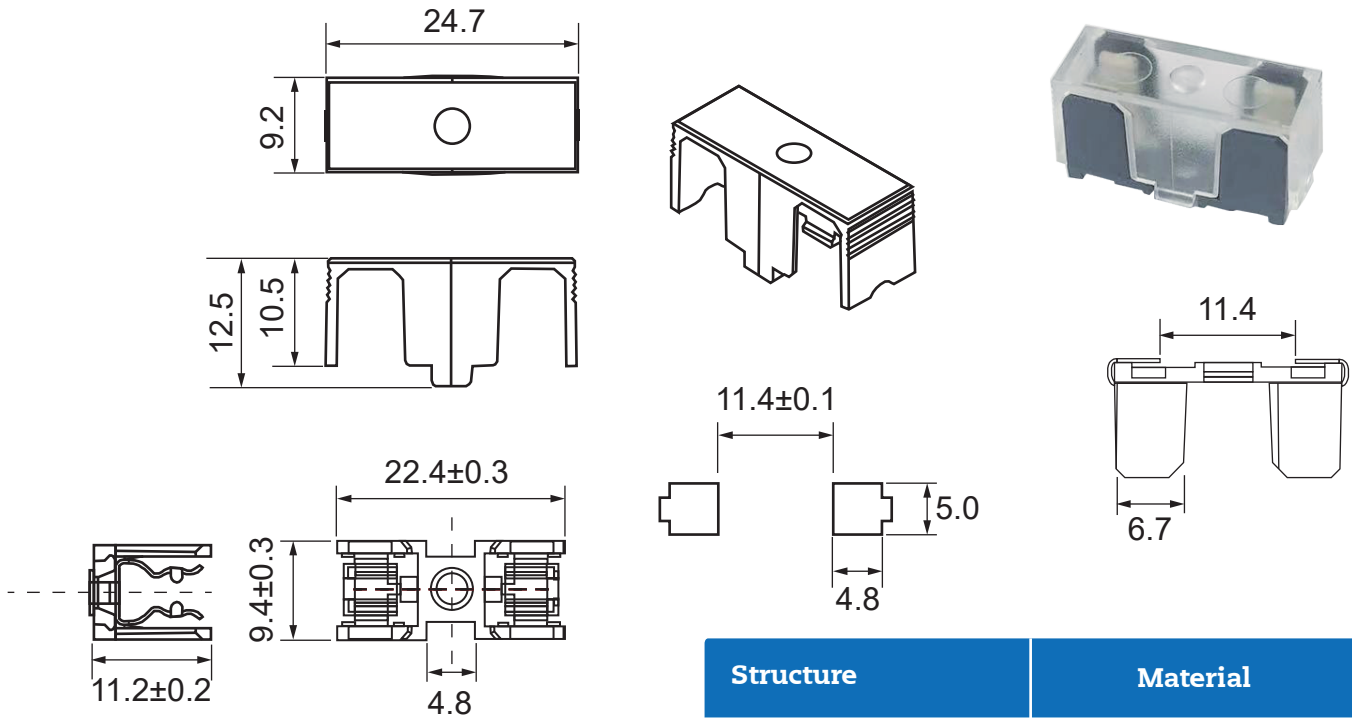


规格 J65800001009

文件号 A-2024-J65800001009

版本1

Shape and Size (mm)



Structure	Material
Insulating Body	PA66
Contacts	Copper nickel plating
Flame retardant grade	UL94V0

Electrical Performance

Model	For Fuse	Rated Ampere	Rated Voltage	Voltage Drop	Insulation Resistance (@500Vdc)	Di-electronic Strength
J65800001009	5*20	10A	250 Vac	<20mV	>100mΩ	>2000Vac

Package and Material

Model	Qty	Assembly
J65800001009	100Pcs/Bag	Wave Soldering (245°C 3S ACC. TO IEC 60068-2-20) (260°C 10S ACC. TO IEC 60068-2-20)